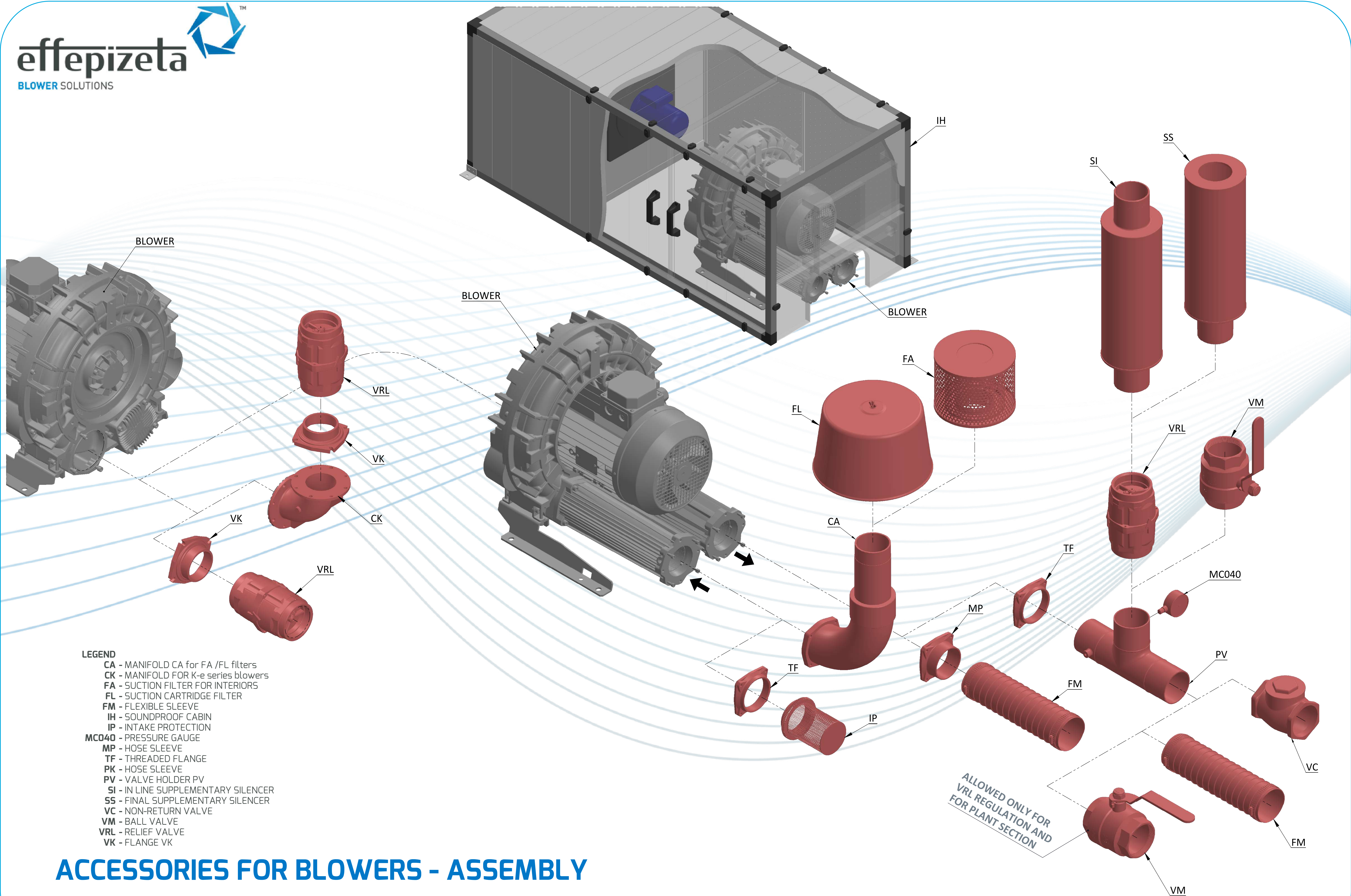


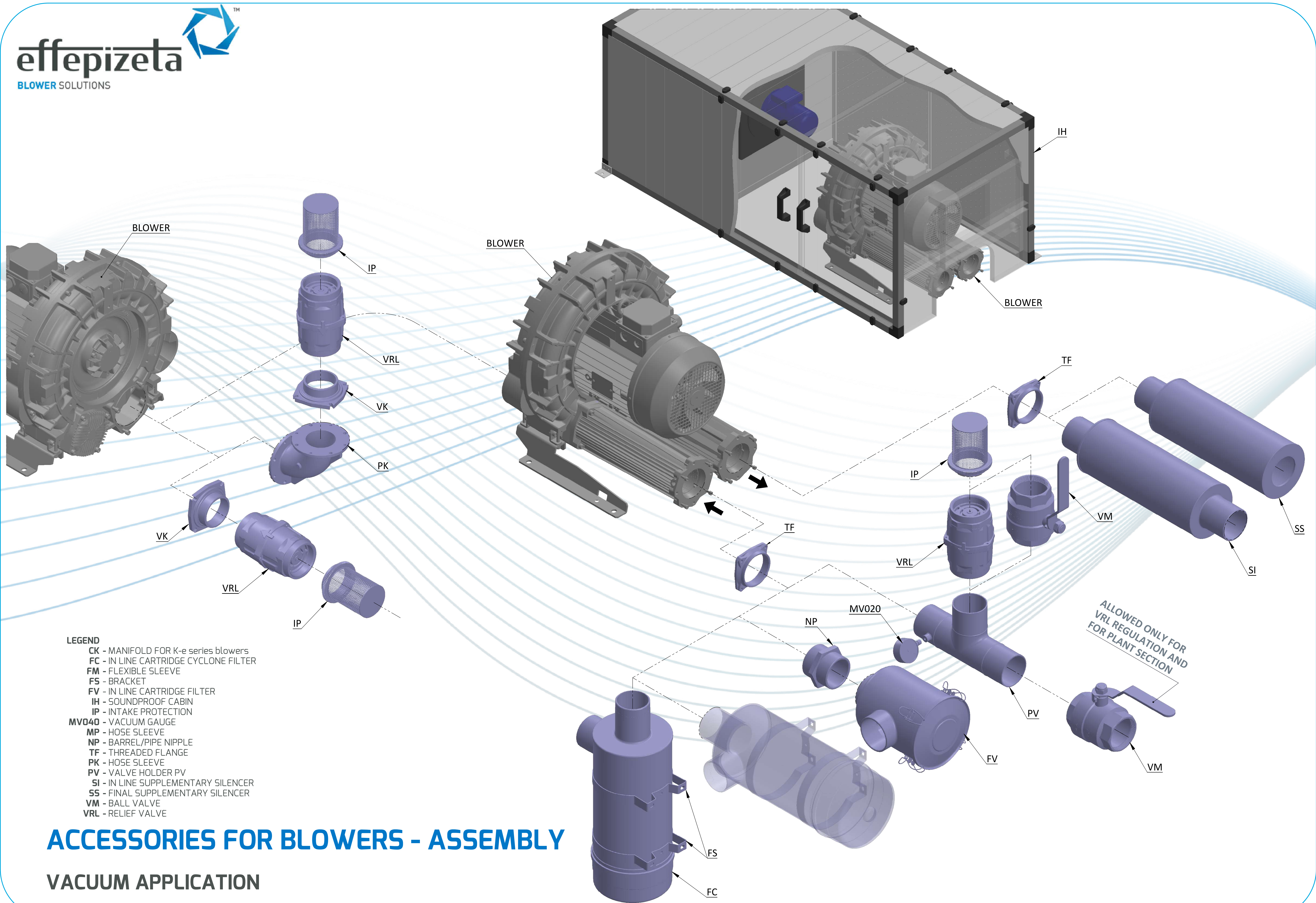
ACCESSORIES FOR BLOWERS - ASSEMBLY
PRESSURE - VACUUM APPLICATION



- LEGEND**
- CA - MANIFOLD CA for FA /FL filters
 - CK - MANIFOLD FOR K-e series blowers
 - FA - SUCTION FILTER FOR INTERIORS
 - FL - SUCTION CARTRIDGE FILTER
 - FM - FLEXIBLE SLEEVE
 - IH - SOUNDPROOF CABIN
 - IP - INTAKE PROTECTION
 - MC040 - PRESSURE GAUGE
 - MP - HOSE SLEEVE
 - TF - THREADED FLANGE
 - PK - HOSE SLEEVE
 - PV - VALVE HOLDER PV
 - SI - IN LINE SUPPLEMENTARY SILENCER
 - SS - FINAL SUPPLEMENTARY SILENCER
 - VC - NON-RETURN VALVE
 - VM - BALL VALVE
 - VRL - RELIEF VALVE
 - VK - FLANGE VK

ACCESSORIES FOR BLOWERS - ASSEMBLY

PRESSURE APPLICATION



- LEGEND**
- CK - MANIFOLD FOR K-e series blowers
 - FC - IN LINE CARTRIDGE CYCLONE FILTER
 - FM - FLEXIBLE SLEEVE
 - FS - BRACKET
 - FV - IN LINE CARTRIDGE FILTER
 - IH - SOUNDPROOF CABIN
 - IP - INTAKE PROTECTION
 - MV040 - VACUUM GAUGE
 - MP - HOSE SLEEVE
 - NP - BARREL/PIPE NIPPLE
 - TF - THREADED FLANGE
 - PK - HOSE SLEEVE
 - PV - VALVE HOLDER PV
 - SI - IN LINE SUPPLEMENTARY SILENCER
 - SS - FINAL SUPPLEMENTARY SILENCER
 - VM - BALL VALVE
 - VRL - RELIEF VALVE

ACCESSORIES FOR BLOWERS - ASSEMBLY

VACUUM APPLICATION